

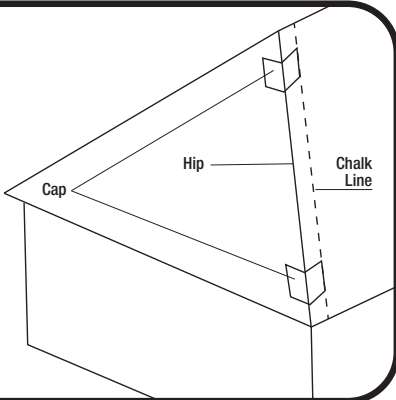
COPPER CAT ALGAE TERMINATOR® ROOFING STRIPS INSTALLATION INSTRUCTIONS



Hip Roof

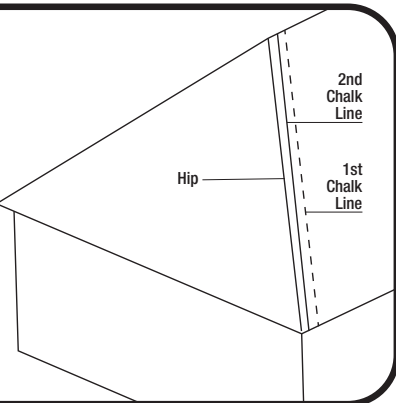
Step 1

Take two cap shingles, bend equally in half, place at both HIP ends, snap chalk line.



Step 2

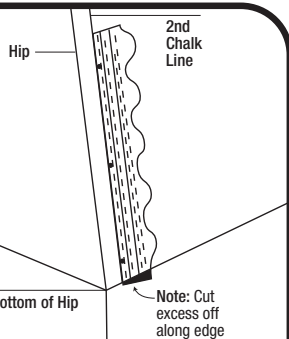
Remove cap and measure up towards HIP 3/4 inch and snap 2nd chalk line.



Step 3

From bottom of hip, align top edge of a COPPER CAT strip to the 2nd chalk line and nail down.

* Use (3) 1-1/4" roofing nails for each COPPER CAT strip.



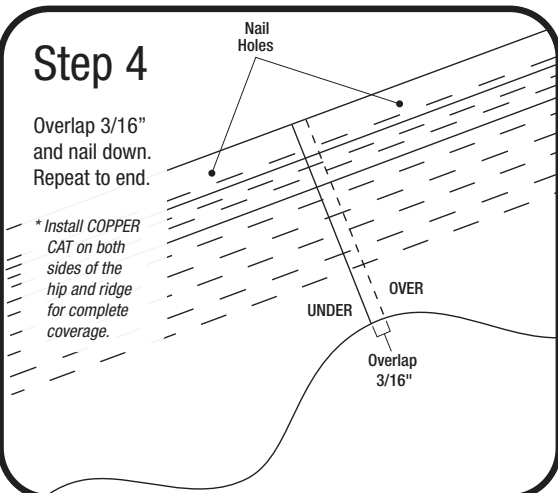
IMPORTANT NOTICE:

For those in the State of Florida and in other high wind areas, see **IMPORTANT INSTALLATION NOTICE** to the right.

Step 4

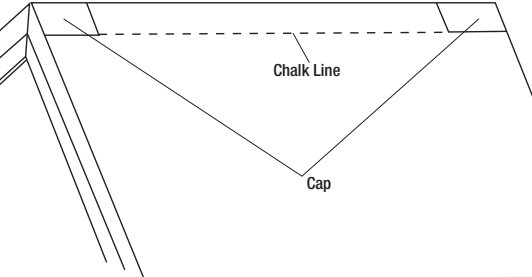
Overlap 3/16" and nail down. Repeat to end.

* Install COPPER CAT on both sides of the hip and ridge for complete coverage.



Gable Roof

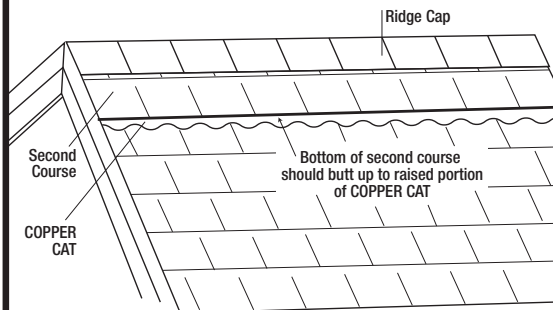
Step 1 Tear Off / New Construction



Take two cap shingles, bend equally in half, place at both ends of ridge, snap chalk line.

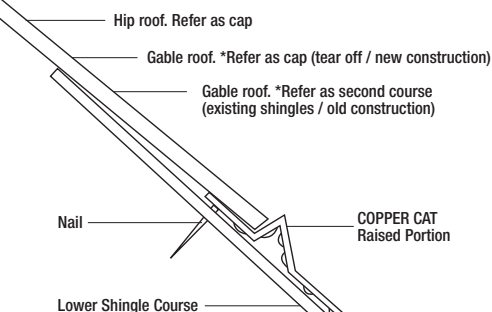
Remove cap and follow same procedure as hip roof installation, working from the left of ridge to complete installation.

Step 1 Existing Shingles / Old Construction



From left, use a roofing flat bar to lift bottom of 2nd course. Slide a COPPER CAT strip under 3/4" to where bottom of shingle butts up to COPPER CAT'S raised portion, nail down, repeat to end.

* Install Copper Cat along all ridge lines for complete coverage.
* Cover any exposed nail heads with a dab of roofing cement.



Side Profile

IMPORTANT INSTALLATION NOTICE:

- In the State of Florida it is **mandatory to use 6 nails to fasten COPPER CAT roofing strips along with applying roof cement on either side of the nail flange to maximize fastening strength.**
- In other areas that experience high winds such as, but not limited to, high velocity hurricane winds, unless stated mandatory, it is recommended that 6 nails are to be used as opposed to 3. (Roof cement optional).
- Recommended nails: **minimum 12 ga. X 1-1/4", annular ring-shank roofing nail** of copper or similar and compatible material.



Scan code to watch video clip of installation. To learn more about this product visit

COPPERCAT.COM